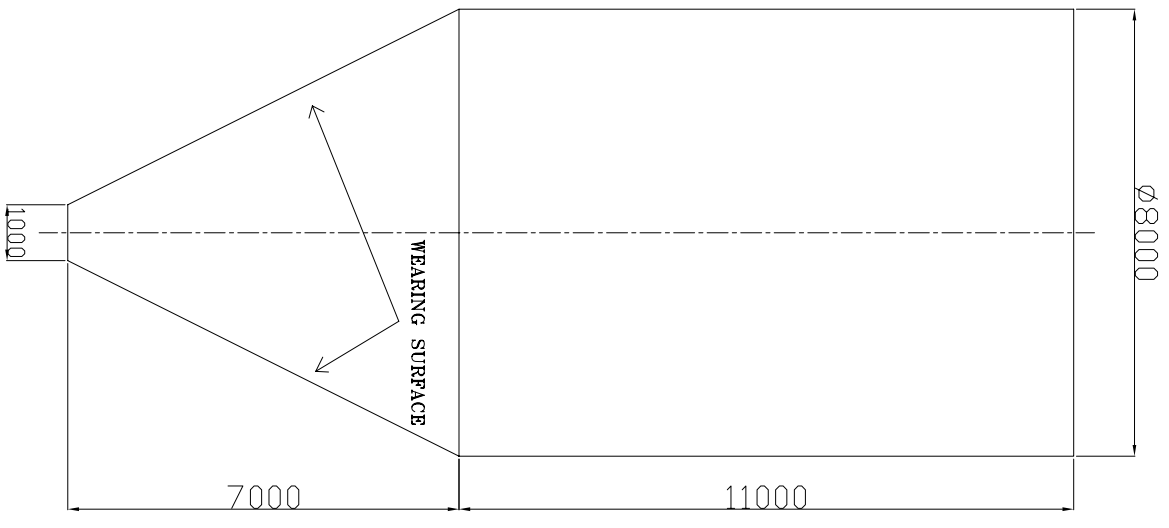
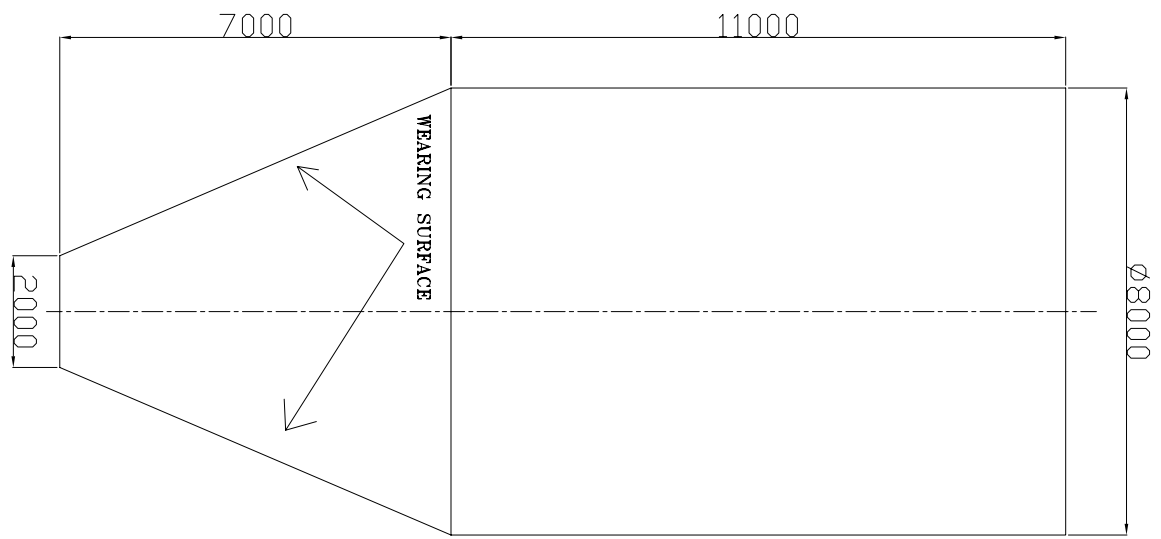


GENERAL SHAPE OF BIN



A

VIEW A