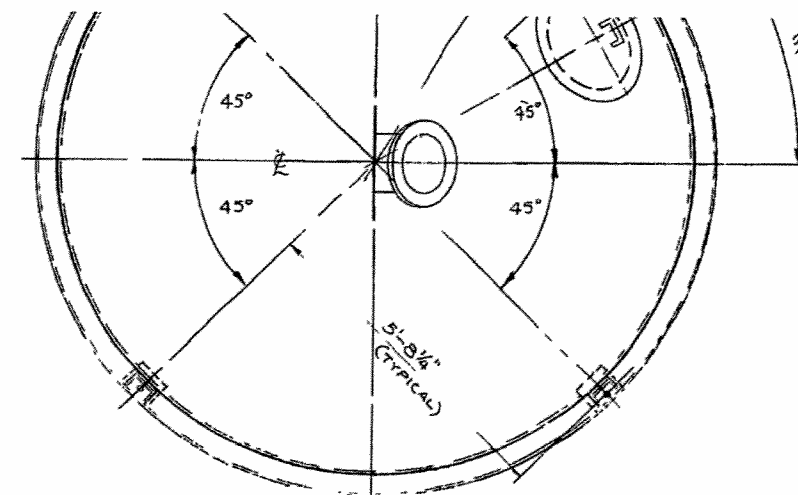
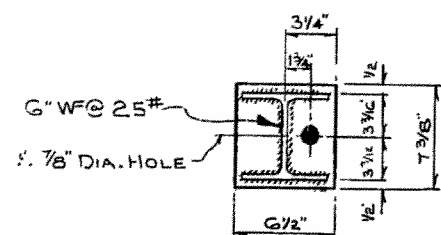


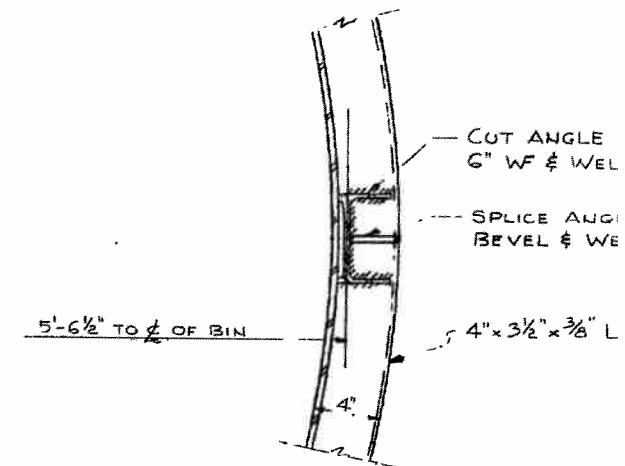
SULFATE STORAGE BIN
STAINLESS STEEL 316
MK 20320A



PLAN



SECTION "B-B"



SECTION C-C

